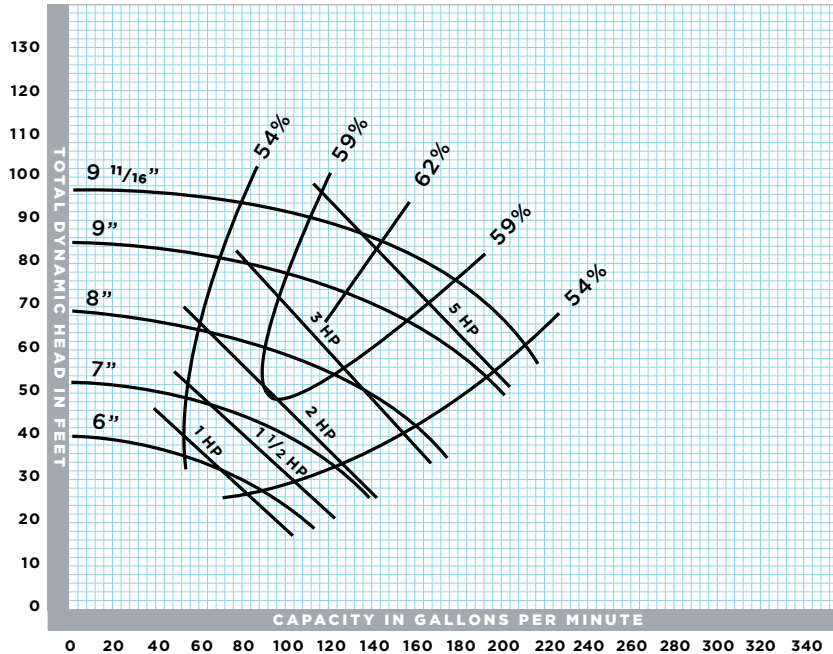


Performance Chart

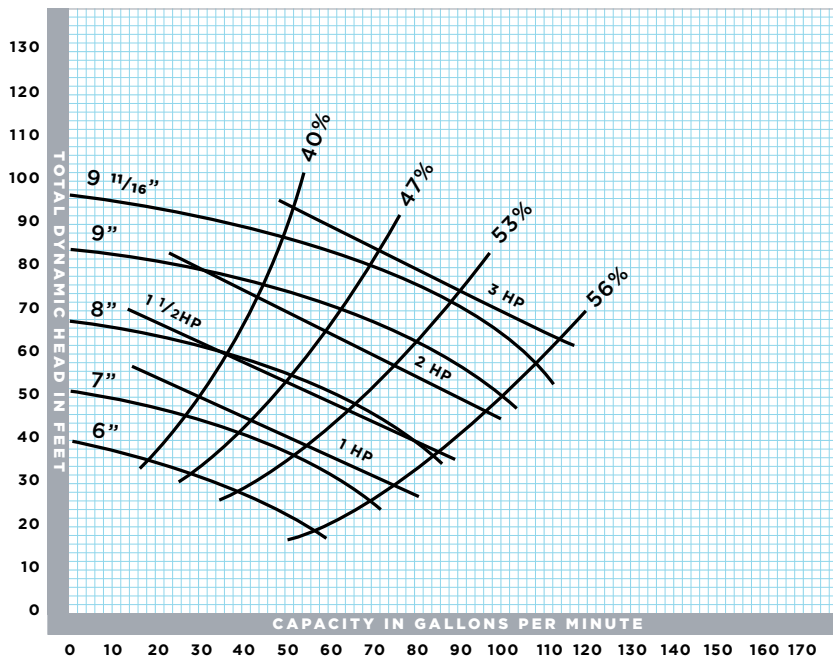


TYPE VSS-2 1/2 D
 SUBMERSIBLE SUMP PUMPS
 BULLETIN 208

Section 3
 Curve Page VSS-2 1/2 D-1
 July, 1992

1750 RPM
MODEL: VSS-2 1/2 D
DISCHARGE SIZE: 2 1/2"
IMPELLER: VSS-2 1/2D-2-7.5

This performance curve represents the VSS-1 1/2D-2-7.5 impeller with a 3/8" wide vane at 9" diameter.



TYPE VSS-2 1/2 D
 SUBMERSIBLE SUMP PUMPS
 BULLETIN 208

Section 3
 Curve Page VSS-2 1/2 D-1
 July, 1992

1750 RPM
MODEL: VSS-2 1/2 D
DISCHARGE SIZE: 2 1/2"
IMPELLER: VSS-2 1/2D-2-7.5

This performance curve represents the VSS-1 1/2D-2-7.5 impeller with a 3/16" wide vane at 9" diameter.

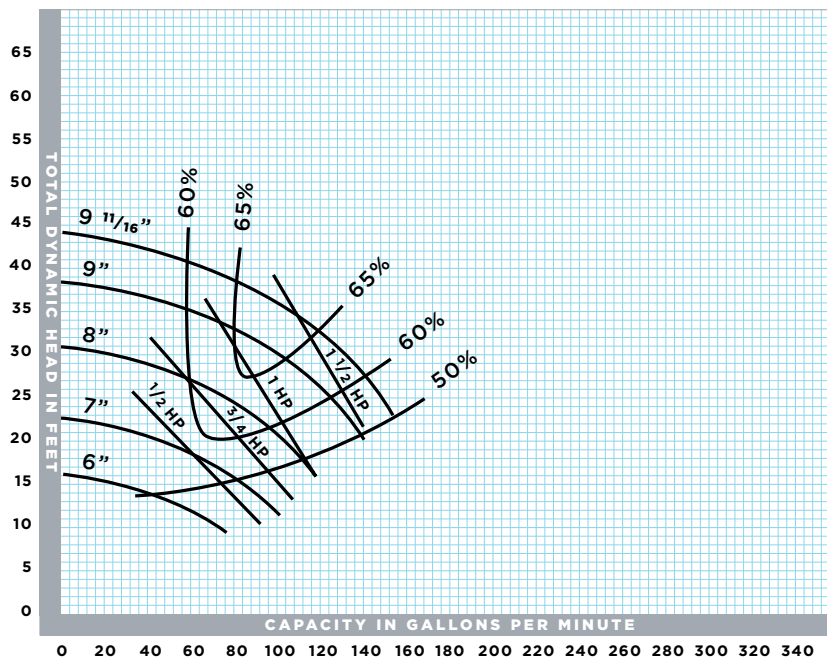
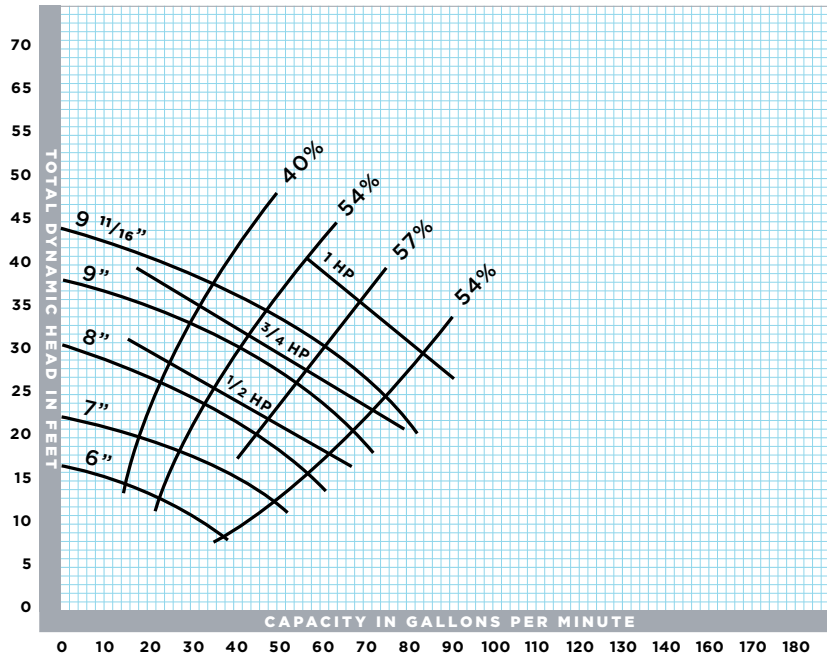


Supplemental # 0210

ADDRESS: 1144 Utica Avenue, Brooklyn, NY 11203 TEL: (718) 451-2000 URL: federalpumps.com

All images and information contained in this booklet are the sole property of The Federal Pumps Corporation, and may not be reproduced without written permission.

Performance Chart

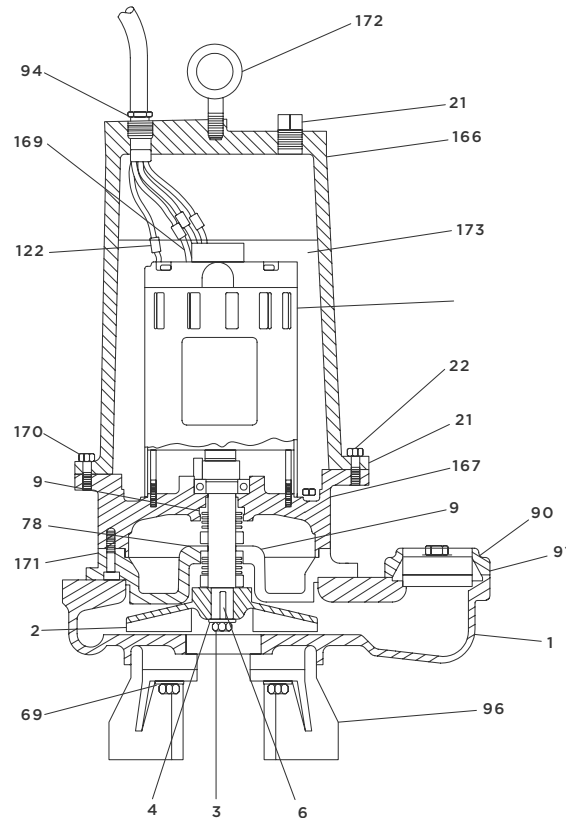


Supplemental # 0210

ADDRESS: 1144 Utica Avenue, Brooklyn, NY 11203 TEL: (718) 451-2000 URL: federalpumps.com

All images and information contained in this booklet are the sole property of The Federal Pumps Corporation, and may not be reproduced without written permission.

Parts List & Diagram



PARTS LIST					
NUMBER	NAME	REQUIRED	STANDARD FITTED	ALL IRON	ALL BRONZE
1	PUMP CASING	1	CAST IRON	CAST IRON	BRONZE
2	IMPELLER	1	BRONZE	CAST IRON	BRASS
3	IMPELLER LOCK SCREW	1*	ST. ST.	ST. ST.	BRASS
4	IMPELLER WASHER	1*	ST. ST.	ST. ST.	ST. ST.
6	IMPELLER KEY	1*	STEEL	STEEL	STEEL
22	CAP SCREW	-	STEEL	STEEL	BRASS
69	WASHER	-	STEEL	STEEL	STEEL
90	DISCHARGE FLANGE	1	CAST IRON	CAST IRON	BRONZE
91	DISC. PIPE GASKET	1*	RUBBER	RUBBER	RUBBER
96	STAND LEG	3	CAST IRON	CAST IRON	BRONZE
110	MOTOR	1	C.I.HSG	C.I.HSG	C.I.HSG



Supplemental # 0210

ADDRESS: 1144 Utica Avenue, Brooklyn, NY 11203 TEL: (718) 451-2000 URL: federalpumps.com

All images and information contained in this booklet are the sole property of The Federal Pumps Corporation, and may not be reproduced without written permission.

Parts List & Diagram

PARTS LIST					
NO.	NAME	REQ.	STANDARD FITTED	ALL IRON	ALL BRONZE
1	PUMP CASING	1	CAST IRON	CAST IRON	BRONZE
2	IMPELLER	1	BRONZE	CAST IRON	BRONZE
3	IMPELLER LOCK SCREW	1*	ST. ST.	ST. ST.	BRASS
4	IMPELLER WASHER	1*	ST. ST.	ST. ST.	ST. ST.
6	IMPELLER KEY	1*	STEEL	STEEL	ST. ST.
9	MECHANICAL SHAFT SEAL	2	VARIOUS	VARIOUS	VARIOUS
21	PLUG	2	STEEL	STEEL	BRASS
22	CAP SCREW	-	STEEL	STEEL	BRASS
50	NUT	-	STEEL	STEEL	BRASS
69	WASHER	-	STEEL	STEEL	BRASS
78	SNAP RING	1	ST. ST.	ST. ST.	ST. ST.
90	DISCHARGE FLANGE	1	CAST IRON	CAST IRON	BRONZE
90A	REMOVAL PLATE DISCH. FLANGE	1	CAST IRON	CAST IRON	BRONZE
91	DISCHARGE PIPE GASKET	1	RUBBER	RUBBER	RUBBER
91A	REMOVAL PLATE DISC. PIPE GASKET	1	RUBBER	RUBBER	RUBBER
94	CORD GRIP	1	VARIOUS	VARIOUS	VARIOUS
96	STAND LEG	3	CAST IRON	CAST IRON	BRONZE
97	BACK PLATE	1	CAST IRON	CAST IRON	BRONZE
103	COVER REMOVAL PLATE	1	STEEL	STEEL	STEEL
108	NAMEPLATE	-	ST. ST.	ST. ST.	ST. ST.
-	REMOVAL PL. FASTENERS PACKING	-	VARIOUS	VARIOUS	VARIOUS
122	ELECTRICAL CONNECTOR	3	PLASTIC	PLASTIC	PLASTIC
165**	RATOR-STATOR ASSEMBLY	1	VARIOUS	VARIOUS	VARIOUS
166	MOTOR HOUSING	1	CAST IRON	CAST IRON	BRONZE
167	BOTTOM MOTOR BRACKET	1	CAST IRON	CAST IRON	BRONZE
168	MOTOR ELECTRODE	2	STEEL	STEEL	-
169	MOTOR CABLE SET	1	VARIOUS	VARIOUS	VARIOUS
170	MOTOR HOUSING O-RING	1	RUBBER	RUBBER	RUBBER
171	BACK PLATE O-RING	1	RUBBER	RUBBER	RUBBER
172	LIFTING RING	1	STEEL	STEEL	BRASS
173	MOTOR HOUSING OIL	-	OIL	OIL	OIL
174	ELECTRODE WIRE	2	COPPER	COPPER	-

