

T Y P E

.....

VSS 2 1/2 D

SUBMERSIBLE SUMP PUMPS



photo
coming
soon

Submersible sump pumps, flows to 175
gpm, heads to 95', 1/2 to 7 1/2 hp, 2 1/2"
discharge, 1750 & 1150 rpm operation.

HIGHLIGHTS

- ⌚ Motors are Fully Submersible
- ⌚ Semi-Open Bronze Impeller
- ⌚ Close-Coupled Design for Perfect Alignment
- ⌚ Indoor and Outdoor Installations
- ⌚ Easy Installation and Removal
- ⌚ For Effluent and Industrial Waste Water
- ⌚ Control Systems Available
- ⌚ Receiving Tanks Available

FEATURES

Cast iron pump casing has a smooth waterway to insure maximum efficiency when handling drainage water. Cast iron legs elevate the pump to permit flow into the impeller.

Rabbeted construction insures complete alignment of the rotating element.

The bronze impeller is of the semi-open design and balanced prior to assembly. The vertical discharge flange and gasket permit easy installation of plain-end discharge pipe.

MOTOR FEATURES: Motors are available for 1750 rpm and 1150 rpm operation with both single phase and three phase windings. All motors are fully submersible and have pre-lubricated ball bearings, stainless steel shaft and fasteners.

Special motors with U.L. listing for Class 1, Group D explosion-proof service can be furnished, if required.

Motors are rated for continuous duty submerged. Motor housing and bottom motor bracket are cast iron. Double seals provide protection for the electrical parts. If the outer seal fails, the inner seal protects the motor while water

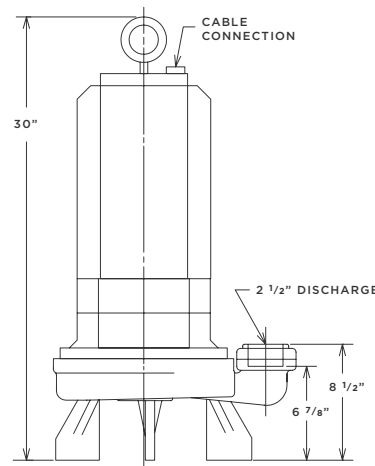
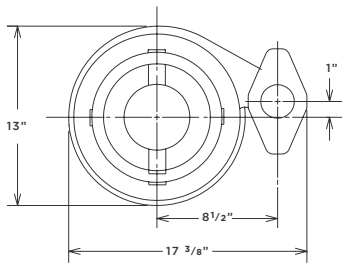
enters the oil-filled seal chamber. Motors are furnished with 25 ft. of power cable and ground wire.

The standard motors are rated for operation in 40°C (104°F) water, but can be modified for higher ambient temperatures.

Motors can be furnished with moisture detection electrodes for the seal chamber and thermal detectors for the windings, if required.

CONTROLS: The recommended control arrangement for VSS pumps is the Submers-a-bulb Controller (see Type SBS Bulletin 263), which includes on-off mercury bulbs, high water alarm and automatic alternator for duplex units. Float switch controls are also available.

PITS AND BASINS: VSS pumps can be furnished with steel or fiberglass basins, or with steel covers and grouting frames for concrete pits.



Recommended Pit Or Basin Sizes
Minimum recommended pit or basin sizes for Type VSS-2 1/2D Submersible Sump Pumps are as follows: (in inches)
Simplex Unit - 30" dia. round pit or basin.
Simplex Unit - 30" x 30" square pit.
Duplex Unit - 36" dia. round pit or basin.
Duplex Unit - 36" x 36" square pit.
Recommended Pit or Basin Depth
It is recommended that the bottom of a pit or basin for Type VSS-2 1/2D Submersible Sump Pumps be a minimum of 36 inches below the centerline of the inlet to the pit or basin.

1750 MOTOR HP				
Unit No.	GPM	Disch. Head (Ft.)	Motor HP	Disch. Size (Ins.)
VSS-2 1/2D-1-4	25	46	1	2.5
VSS-2 1/2D-1 1/2-4		60	1.5	2.5
VSS-2 1/2D-2-4		76	2	2.5
VSS-2 1/2D-3-4		87	3	2.5
VSS-2 1/2D-5-4		92	5	2.5
VSS-2 1/2D-1-4	50	39	1	2.5
VSS-2 1/2D-1 1/2-4		49	1.5	2.5
VSS-2 1/2D-2-4		68	2	2.5
VSS-2 1/2D-3-4		84	3	2.5
VSS-2 1/2D-5-4		90	5	2.5
VSS-2 1/2D-1-4	75	28	1	2.5
VSS-2 1/2D-1 1/2-4		42	1.5	2.5
VSS-2 1/2D-2-4		56	2	2.5
VSS-2 1/2D-3-4		78	3	2.5
VSS-2 1/2D-5-4		86	5	2.5
VSS-2 1/2D-7 1/2-4	100	92	7.5	2.5
VSS-2 1/2D-1 1/2-4		32	1.5	2.5
VSS-2 1/2D-2-4		45	2	2.5
VSS-2 1/2D-3-4		66	3	2.5
VSS-2 1/2D-5-4		83	5	2.5
VSS-2 1/2D-7 1/2-4	125	90	7.5	2.5
VSS-2 1/2D-2-4		33	2	2.5
VSS-2 1/2D-3-4		53	3	2.5
VSS-2 1/2D-5-4		76	5	2.5
VSS-2 1/2D-7 1/2-4		86	7.5	2.5
VSS-2 1/2D-3-4	150	43	3	2.5
VSS-2 1/2D-5-4		72	5	2.5
VSS-2 1/2D-7 1/2-4		82	7.5	2.5
VSS-2 1/2D-5-4	175	64	5	2.5
VSS-2 1/2D-7 1/2-4		74	7.5	2.5
1150 MOTOR HP				
VSS-2 1/2D-1/2-6	25	26	0.5	2.5
VSS-2 1/2D-3/4-6		35	0.75	2.5
VSS-2 1/2D-1-6		40	1	2.5
VSS-2 1/2D-1 1/2-6		43	1.5	2.5
VSS-2 1/2D-1/2-6	50	22	0.5	2.5
VSS-2 1/2D-3/4-6		28	0.75	2.5
VSS-2 1/2D-1-6		34	1	2.5
VSS-2 1/2D-1 1/2-6		41	1.5	2.5
VSS-2 1/2D-3/4-6	75	22	0.75	2.5
VSS-2 1/2D-1-6		28	1	2.5
VSS-2 1/2D-1 1/2-6		34	1.5	2.5
VSS-2 1/2D-2-6		38	2	2.5
VSS-2 1/2D-1-6	100	22	1	2.5
VSS-2 1/2D-1 1/2-6		32	1.5	2.5
VSS-2 1/2D-2-6		36	2	2.5
VSS-2 1/2D-1 1/2-6		125	27	1.5
VSS-2 1/2D-2-6	32		2	2.5



ADDRESS: 1144 Utica Avenue, Brooklyn, NY 11203 TEL: (718) 451-2000 URL: federalpumps.com