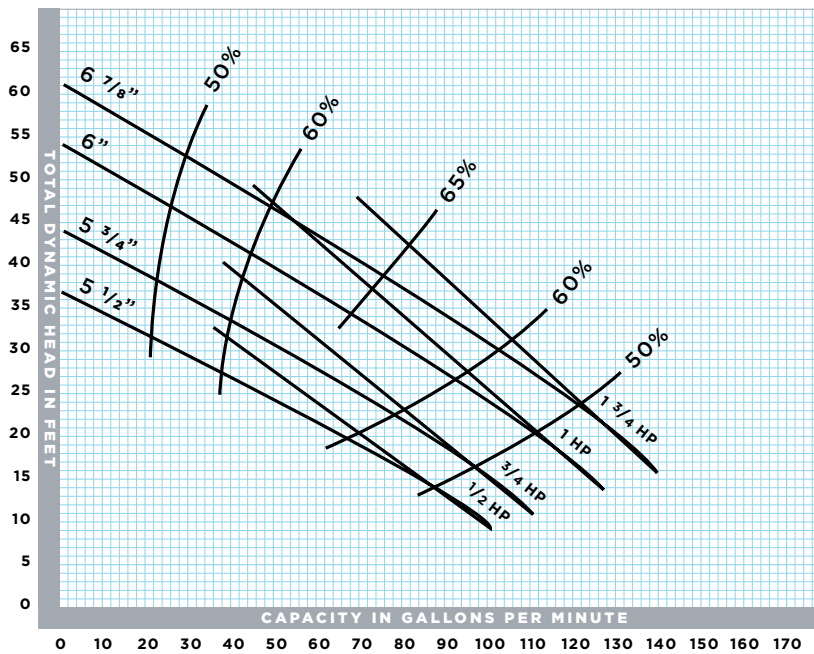
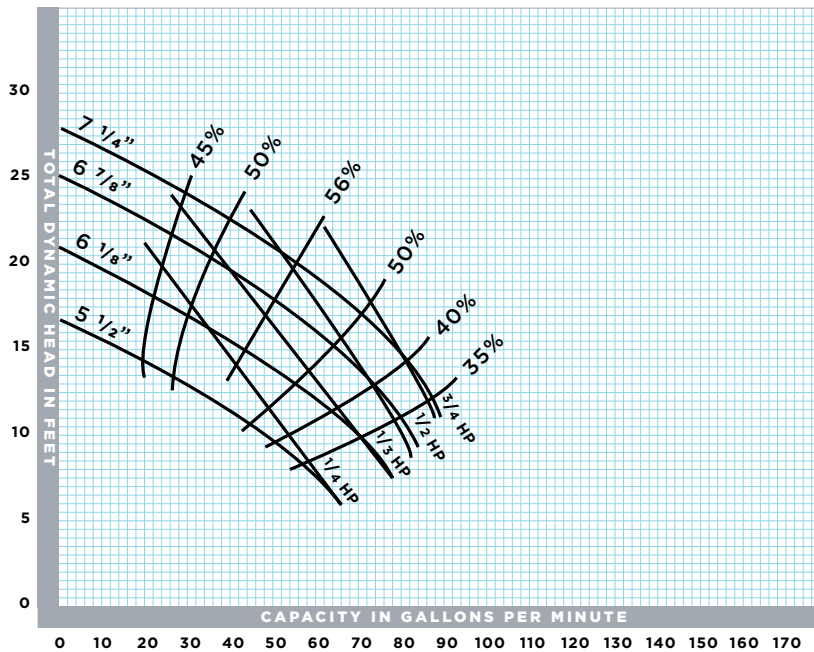


Performance



TYPE VF-2
 SUMP PUMPS
 BULLETIN 202

Section 3
 Curve Page VF-1
 June, 1984



TYPE VF-2
 SUMP PUMPS
 BULLETIN 202

Section 3
 Curve Page VF-1
 June, 1984



Supplemental # 0210

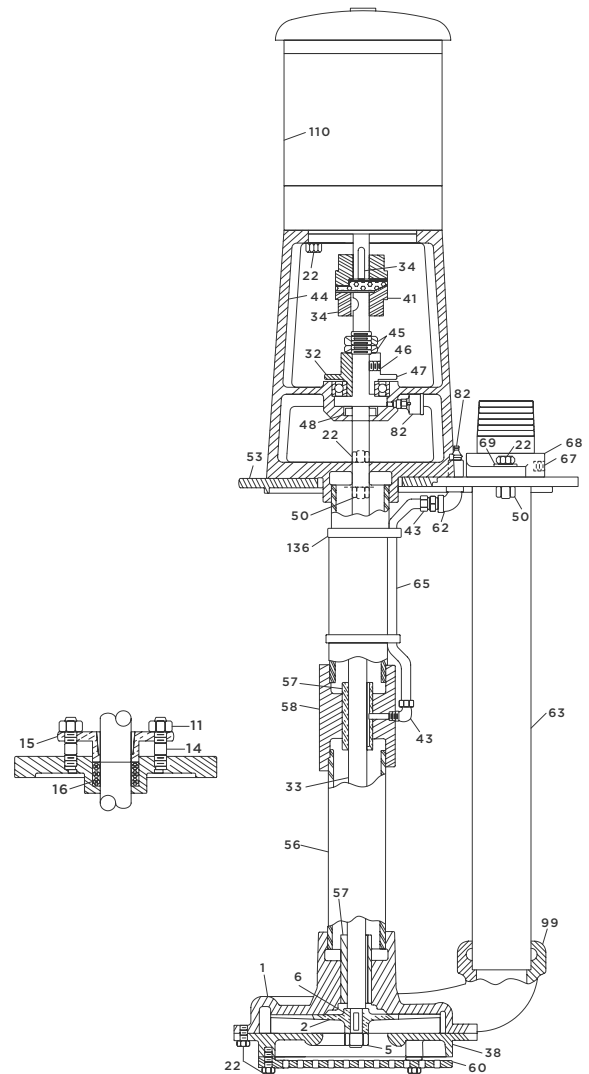
ADDRESS: 1144 Utica Avenue, Brooklyn, NY 11203 TEL: (718) 451-2000 URL: federalpumps.com

All images and information contained in this booklet are the sole property of The Federal Pumps Corporation, and may not be reproduced without written permission.

Parts List & Diagram

PARTS LIST					
NUMBER	NAME	REQ.	MATERIAL		
1	PUMP CASING	1	CAST IRON	CAST IRON	BRONZE
2	IMPELLER	1*	BRONZE	CAST IRON	BRONZE
5	IMPELLER NUT	1*	BRASS	STEEL	BRASS
6	IMPELLER KEY	1*	STEEL	STEEL	ST. ST.
22	CAP SCREW	-	STEEL	STEEL	STEEL
32	THRUST BALL BEARING	1*	STEEL	STEEL	STEEL
33	SHAFT	1*	STEEL	STEEL	ST. ST.
34	MOTOR SHAFT KEY	1*	STEEL	STEEL	STEEL
34	PUMP SHAFT KEY	1*	STEEL	STEEL	STEEL
38	SUCTION PLATE	1	CAST IRON	CAST IRON	BRONZE
41	COUPLING SET	1	VARIOUS	VARIOUS	VARIOUS
43	COMPRESSION FITTING	1	BRASS	STEEL	BRASS
44	PEDESTAL	1	CAST IRON	CAST IRON	CAST IRON
45	ADJUSTING NUT	2*	BRASS	BRASS	BRASS
46	BEARING CAP SET SCREW	1*	STEEL	STEEL	STEEL
47	BEARING CAP	1*	CAST IRON	CAST IRON	CAST IRON
48	BALL BEARING SEAL	1*	VARIOUS	VARIOUS	VARIOUS
50	NUT	-	STEEL	STEEL	BRASS
53	SUPPORT PLATE	1	CAST IRON	CAST IRON	CAST IRON
56	SUPPORT LEG	1	STEEL	STEEL	BRASS
57	INTERMEDIATE BEARING	1*	BRONZE	CAST IRON	BRONZE
57	PUMP BEARING	1*	BRONZE	CAST IRON	BRONZE
58	INTERMEDIATE HOUSING	1*	CAST IRON	CAST IRON	BRONZE
60	SUCTION STRAINER	1	CAST IRON	CAST IRON	BRONZE
62	90 DEGREE ELBOW	1	STEEL	STEEL	BRASS
63	DISCHARGE PIPE	1	STEEL	STEEL	BRASS
65	INTERMEDIATE GREASE LINE	1	PVC	STEEL	PVC
67	FLANGE SET SCREW	2	STEEL	STEEL	STEEL
68	UPPER DISC. FLANGE	1	CAST IRON	CAST IRON	CAST IRON
69	WASHER	-	STEEL	STEEL	STEEL
82	GREASE FITTING ASSEMBLY	-	STEEL	STEEL	STEEL
99	CASING ELBOW SEAL	1	RUBBER	RUBBER	RUBBER
110	MOTOR	1	VARIOUS	VARIOUS	VARIOUS
136	GREASE LINE STRAP	2	PLASTIC	--	PLASTIC

* RECOMMENDED SPARE PARTS TO BE CARRIED IN STOCK.



PACKING GLAND OPTIONS			
NUMBER	NAME	REQUIRED	MATERIAL
11	GLAND NUT	2*	BRASS
14	GLAND STUD	2*	BRASS
15	PACKING GLAND	1*	BRONZE
16	PACKING	3*	SILICONE