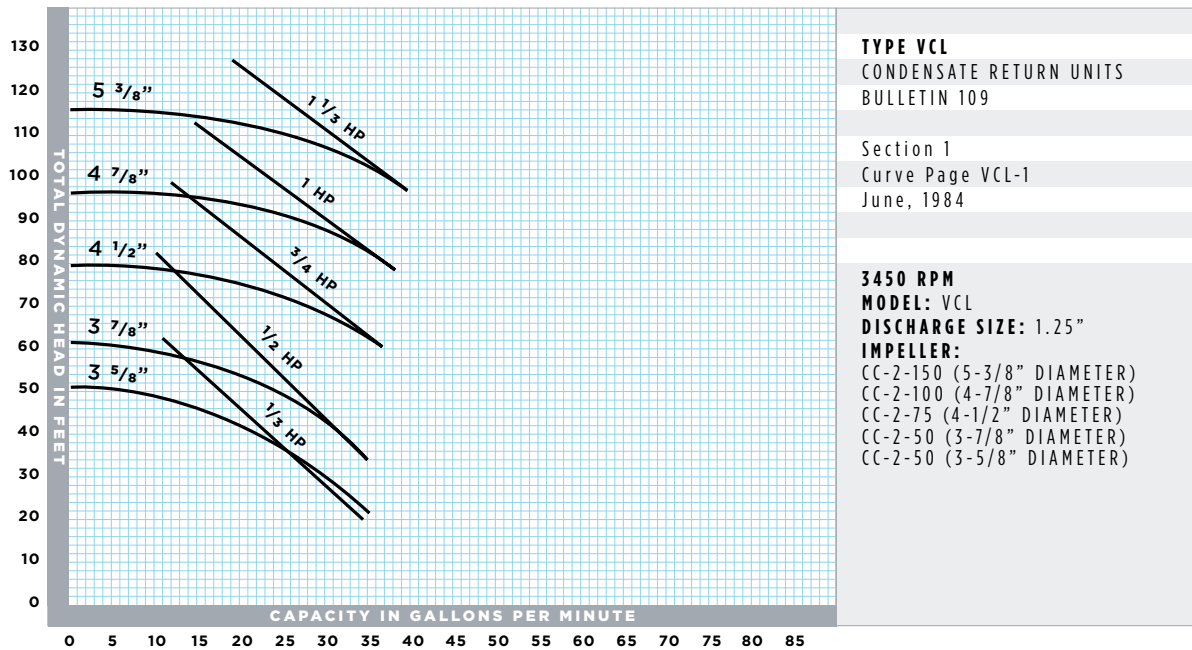


## Performance Chart



Supplemental # 0210

ADDRESS: 1144 Utica Avenue, Brooklyn, NY 11203 TEL: (718) 451-2000 URL: federalpumps.com

All images and information contained in this booklet are the sole property of The Federal Pumps Corporation, and may not be reproduced without written permission.

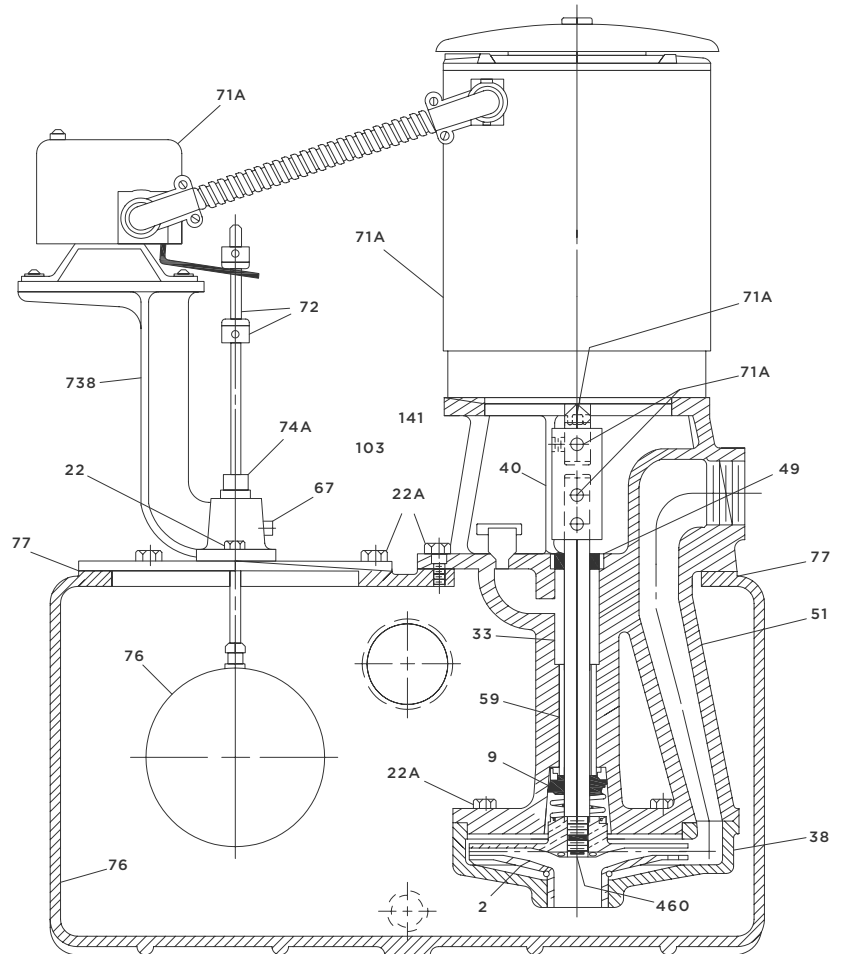
IMPELLER SELECTIONS				
UNIT NUMBER	PUMP CODE	IMPELLER NUMBER	IMPELLER DIAMETER	3450 R.P.M H.P.
VCL-110-2	VCL-50	CC-2-50	3-.625"	0.33
VCL-120-2	VCL-50	CC-2-50	3-.625"	0.33
VCL-130-2	VCL-75	CC-2-75	4-.5"	0.75
VCL-140-2	VCL-100	CC-2-100	4-.875"	1
VCL-150-2	VCL-150	CC-2-150	5-.375"	1.5
VCL-210-2	VCL-50	CC-2-50	3-.625"	0.33
VCL-220-2	VCL-50	CC-2-50	3-.625"	0.33
VCL-230-2	VCL-75	CC-2-75	4-.5"	0.75
VCL-240-2	VCL-100	CC-2-100	4-.875"	1
VCL-250-2	VCL-150	CC-2-150	5-.375"	1.5
VCL-410-2	VCL-50	CC-2-50	3-.625"	0.33
VCL-420-2	VCL-50	CC-2-50	3-.625"	0.33
VCL-430-2	VCL-75	CC-2-75	4-.5"	0.75
VCL-440-2	VCL-100	CC-2-100	4.875"	1
VCL-450-2	VCL-150	CC-2-150	5-.375"	1.5
VCL-610-2	VCL-50	CC-2-50	3-.625"	0.33
VCL-620-2	VCL-50	CC-2-50	3-.625"	0.33
VCL-630-2	VCL-75	CC-2-75	4-.5"	0.75
VCL-640-2	VCL-100	CC-2-100	4-.875"	1
VCL-650-2	VCL-150	CC-2-150	5-.375"	1.5
VCL-810-2	VCL-50	CC-2-50	3-.625"	0.33
VCL-820-2	VCL-50	CC-2-50	3-.625"	0.33
VCL-830-2	VCL-75	CC-2-75	4-.5"	0.75
VCL-840-2	VCL-100	CC-2-100	4-.875"	1
VCL-850-2	VCL-150	CC-2-150	5-.375"	1.5
VCL-1010-2	VCL-50	CC-2-50	3-.625"	0.33
VCL-1020-2	VCL-50	CC-2-50	3-.625"	0.33
VCL-1030-2	VCL-75	CC-2-75	4-.5"	0.75
VCL-1040-2	VCL-100	CC-2-100	4-.875"	1
VCL-1050-2	VCL-150	CC-2-150	5-.375"	1.5
VCL-1510-2	VCL-50	CC-2-50	3-.625"	0.33
VCL-1520-2	VCL-50	CC-2-50	3-.875"	0.5
VCL-1530-2	VCL-75	CC-2-75	4-.5"	0.75
VCL-1540-2	VCL-100	CC-2-100	4-.875"	1
VCL-2010-2	VCL-50	CC-2-50	3-.625"	0.33
VCL-2020-2	VCL-75	CC-2-75	4-.5"	0.75
VCL-2030-2	VCL-100	CC-2-100	4-.875"	1
VCL-2040-2	VCL-150	CC-2-150	5-.375"	1.5

1750 RPM VCL UNITS:  
All 10# 1750 R.P.M. VCL selections use pump code VCL-150, impeller number CC-2-150, 5-3/8" diameter, with 1/4 HP 1750 R.P.M. motors.



## Parts List & Diagram

PARTS LIST			
NO.	NAME	REQD.	MATERIAL
2	IMPELLER	1	BRONZE
9	MECHANICAL SHAFT SEAL	1*	VARIOUS
22	CAP SCREW	2	STEEL
22A	CAP SCREW	10	STEEL
22D	CAP SCREW	2	STEEL
33	SHAFT	1*	ST. ST.
38	SUCTION PLATE	1	CAST IRON
40	COUPLING	1*	STEEL
46B	SET SCREW	4*	STEEL
46D	IMPELLER SET SCREW	1*	STEEL
49	SHAFT SEAL	1*	VARIOUS
51	CASING ASSEMBLY	1	CAST IRON
59	LOWER BEARING	1*	BRONZE
67	SET SCREW	1*	STEEL
71A	FLOAT SWITCH	1*	VARIOUS
72	FLOAT ROD AND STOPS	SET*	ST. ST.
73B	FLOAT SWITCH PEDESTAL	1	CAST IRON
74A	STUFFING BOX & GUIDE PIPE	SET	VARIOUS
75	FLOAT	1*	ST. ST.
76	RECEIVER	1	C.I. OR ST.
77	GASKET	2*	RUBBER
103	COVER	1	CAST IRON
110	MOTOR	1	VARIOUS
141	OIL CUP	1	STEEL



## DIAGRAMS

