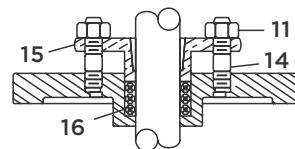


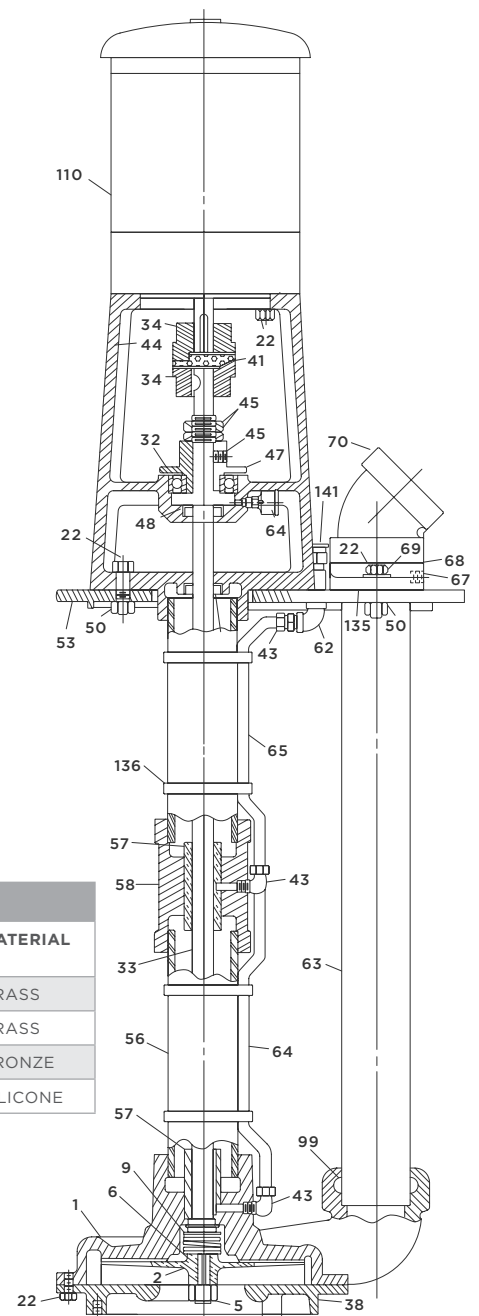
Parts List & Diagram

PARTS LIST			
CX	PART NAME	NUMBER REQD.	MATERIAL
1	PUMP CASING	1	CAST IRON
2	IMPELLER	1*	BRONZE
5	IMPELLER NUT	1*	BRASS
6	IMPELLER KEY	1*	STEEL
9	MECHANICAL SHAFT SEAL	1*	VARIOUS
22	CAP SCREW	-	STEEL
32	THRUST BALL BEARING	1*	STEEL
33	SHAFT	1*	ST. ST.
34	MOTOR SHAFT KEY	1*	STEEL
34	PUMP SHAFT KEY	1*	STEEL
38	SUCTION PLATE	1	CAST IRON
41	COUPLING SET	1	VARIOUS
43	COMPRESSION FITTING	1	BRASS
44	PEDESTAL	1	CAST IRON
45	ADJUSTING NUT	2*	BRASS
46	BEARING CAP SET SCREW	1*	STEEL
47	BEARING CAP	1*	CAST IRON
48	BALL BEARING SEAL	1*	VARIOUS
49	PEDESTAL SHAFT SEAL	1*	VARIOUS
50	NUT	-	STEEL
53	SUPPORT PLATE	1	CAST IRON
56	SUPPORT LEG	1	STEEL
57	INTERMEDIATE BEARING	1*	BRONZE
57	PUMP BEARING	1*	BRONZE
58	INTERMEDIATE HOUSING	1*	CAST IRON
62	90 DEGREE ELBOW	1	STEEL
63	DISCHARGE PIPE	1	STEEL
64	PUMP OIL LINE	1	COPPER
65	INTERMEDIATE GREASE LINE	1	PVC
67	FLANGE SET SCREW	2	STEEL
68	UPPER DISCHARGE FLANGE	1	CAST IRON
69	UPPER DISC. FLANGE WASHER	2	STEEL
70	45 DEGREE DISCHARGE ELBOW	1	CAST IRON
82	GREASE FITTING ASSEMBLY	1	STEEL
99	CASING ELBOW SEAL	-	CAULK
110	MOTOR	1	VARIOUS
136	GREASE LINE STRAP	2	PLASTIC
141	OIL CUP	1	STEEL

*Recommended spare parts.



SUB TABLE			
PART	PART NAME	NUMBER REQD.	MATERIAL
11	GLAND NUT	2*	BRASS
14	GLAND STUD	2*	BRASS
15	PACKING GLAND	1*	BRONZE
16	PACKING	3*	SILICONE



Supplemental # 0210

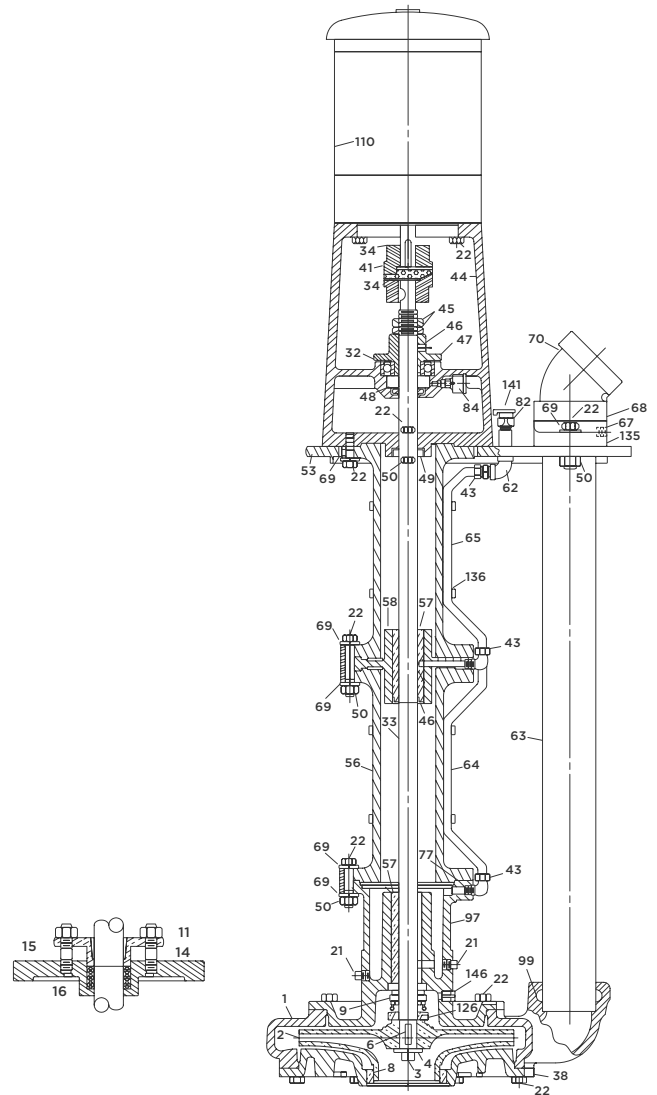
ADDRESS: 1144 Utica Avenue, Brooklyn, NY 11203 TEL: (718) 451-2000 URL: federalpumps.com

All images and information contained in this booklet are the sole property of The Federal Pumps Corporation, and may not be reproduced without written permission.

PARTS LIST

PART NO.	PART NAME	NUMBER REQD.	MATERIAL
1	PUMP CASING	1	CAST IRON
2	IMPELLER	1*	BRONZE
3	IMPELLER LOCK SCREW	1*	STAINLESS STEEL
4	IMPELLER WASHER	1*	STAINLESS STEEL
6	IMPELLER KEY	1*	STAINLESS STEEL
8	CASING WEAR RING	1*	BRONZE
9	MECHANICAL SHAFT SEAL	1*	VARIOUS
21	PLUG	2	BRASS
22	CAP SCREW	-	STEEL
32	THRUST BALL BEARING	1*	STEEL
33	SHAFT	1*	STAINLESS STEEL
34	MOTOR SHAFT KEY	1*	STEEL
34	PUMP SHAFT KEY	1*	STEEL
38	SUCTION PLATE	1	CAST IRON
41	COUPLING SET	1	VARIOUS
43	COMPRESSION FITTING	1	BRASS
44	PEDESTAL	1	CAST IRON
45	ADJUSTING NUT	2*	BRASS
46	BEARING CAP SET SCREW	1*	STEEL
47	BEARING CAP	1*	CAST IRON
48	BALL BEARING SEAL	1*	VARIOUS
48	INTERMEDIATE BEARING SEAL	1*	VARIOUS
49	PEDESTAL SHAFT SEAL	1*	VARIOUS
50	NUT	-	STEEL
53	SUPPORT PLATE	1	CAST IRON
56	SUPPORT LEG	1	CAST IRON
57	INTERMEDIATE BEARING	1*	BRONZE
57	PUMP BEARING	1*	BRONZE
58	INTERMEDIATE HOUSING	1*	CAST IRON
62	90 DEGREE ELBOW	1	STEEL
63	DISCHARGE PIPE	1	STEEL
64	PUMP BRG. OIL LINE	1	COPPER
65	INTERMEDIATE GREASE LINE	1	PVC
67	FLANGE SET SCREW	2	STEEL
68	UPPER DISCHARGE FLANGE	1	CAST IRON
69	WASHER	-	STEEL
70	DISCHARGE ELBOW	1	CAST IRON
77	LEG GASKET	1	VELUMOID
82	GREASE FTG. ASSEM.(INT. BRG)	1	STEEL
97	BACK PLATE	1	CAST IRON
99	CASING ELBOW GASKET	1	CAULK
110	MOTOR	1	VARIOUS
126	SPRING HOLDER	1	BRONZE
135	DISCHARGE FLANGE GASKET	1	RUBBER
136	GREASE LINE STRAP	2	PLASTIC
141	OIL CUP ASSEM.(PUMP BRG.)	1	STEEL

Parts List & Diagram



SUB TABLE

PART	PART NAME	NUMBER REQD.	MATERIAL
11	GLAND NUT	2*	BRASS
14	GLAND STUD	2*	BRASS
15	PACKING GLAND	1*	BRONZE
16	PACKING	3*	SILICONE

*recommended spare parts to be carried in stock



Supplemental # 0210

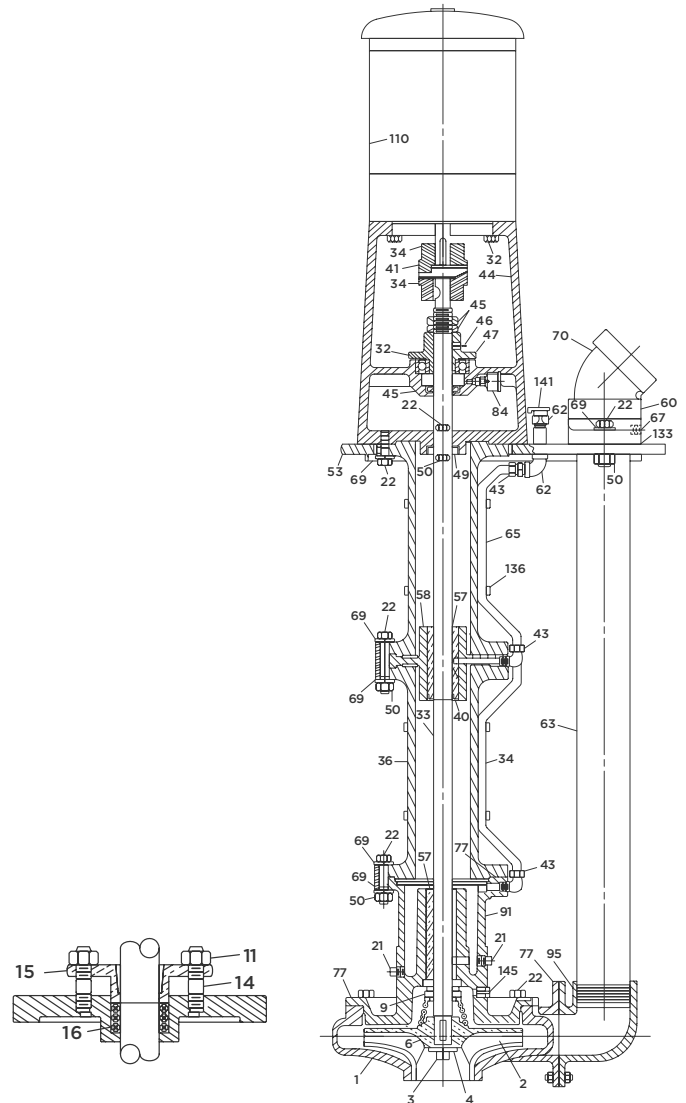
ADDRESS: 1144 Utica Avenue, Brooklyn, NY 11203 TEL: (718) 451-2000 URL: federalpumps.com

All images and information contained in this booklet are the sole property of The Federal Pumps Corporation, and may not be reproduced without written permission.

PARTS LIST			
PART NUMBER	PART NAME	NUMBER REQUIRED	MATERIAL
1	PUMP CASING	1	CAST IRON
2	IMPELLER	1*	BRONZE
3	IMPELLER LOCK SCREW	1*	ST.ST.
4	IMPELLER WASHER	1*	ST.ST.
6	IMPELLER KEY	1*	ST.ST.
9	MECHANICAL SHAFT SEAL	1*	VARIOUS
21	PLUG	2	BRASS
22	CAP SCREW	-	STEEL
32	THRUST BALL BEARING	1*	STEEL
33	SHAFT	1*	ST.ST.
34	MOTOR SHAFT KEY	1*	STEEL
34	PUMP SHAFT KEY	1*	STEEL
41	COUPLING SET	1	VARIOUS
43	COMPRESSION FITTING	1	BRASS
44	PEDESTAL	1	CAST IRON
45	ADJUSTING NUT	2*	BRASS
46	BEARING CAP SET SCREW	1*	STEEL
47	BEARING CAP	1*	CAST IRON
48	BALL BEARING SEAL	1*	VARIOUS
48	INTERMEDIATE BRG. SEAL	1*	VARIOUS
49	PEDESTAL SHAFT SEAL	1*	VARIOUS
50	NUT	-	STEEL
53	SUPPORT PLATE	1	CAST IRON
56	SUPPORT LEG	1	CAST IRON
57	INTERMEDIATE BEARING	1*	BRONZE
57	PUMP BEARING	1*	BRONZE
58	INTERMEDIATE HOUSING	1*	CAST IRON
62	90 DEGREE ELBOW	1	STEEL
63	DISCHARGE PIPE	1	STEEL
64	PUMP BRG. OIL LINE	1	COPPER
65	INTERMEDIATE GREASE LINE	1	PVC
67	FLANGE SET SCREW	2	STEEL
68	UPPER DISCHARGE FLANGE	1	CAST IRON
69	WASHER	-	STEEL
70	DISCHARGE ELBOW	1	CAST IRON
77	LEG GASKET	1	VELUMOID
82	GREASE FTG. ASSEM. (INT. BRG.)	1	STEEL
95	CASING ELBOW	1	CAST IRON
97	BACK PLATE	1	CAST IRON
109	CASING NIPPLE	1	STEEL
110	MOTOR	1	VARIOUS
126	SPRING HOLDER	1	BRONZE
135	DISCHARGE FLANGE GASKET	1	RUBBER
136	GREASE LINE STRAP	2	PLASTIC
141	OIL CUP ASSEM. (PUMP BRG.)	1	STEEL

*recommended spare parts to be carried in stock

Parts List & Diagram



SUB TABLE			
PART	PART NAME	NUMBER REQ.	MATERIAL
11	GLAND NUT	2*	BRASS
14	GLAND STUD	2*	BRASS
15	PACKING GLAND	1*	BRONZE
16	PACKING	3*	SILICONE