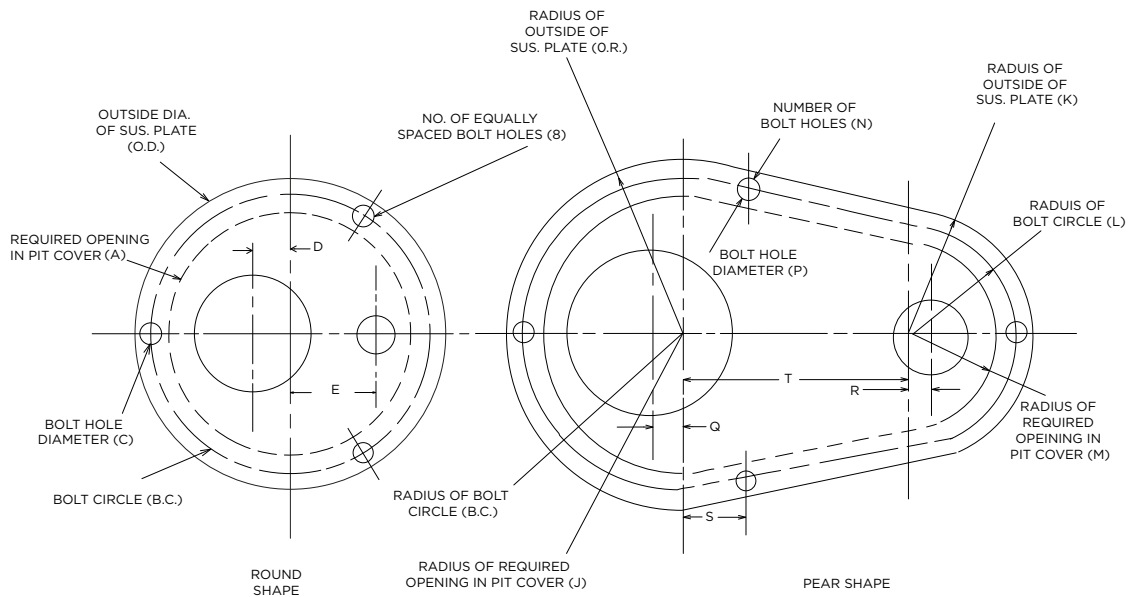


Parts List & Diagram



DIMENSIONS													
PUMP MODEL	SUS. PLATE SHAPE	O.D.	B.C.	J	K	L	M	N	P	Q	R	S	T
VSP-3K,4K	PEAR	9	8.375	7.875	6	5.375	4.875	4	.46	1	1.5	2.125	7.25
VSP-3L,4L	PEAR	10	9.5	9	6.25	5.75	5.25	4	.56	1.25	0.75	3.5	10.75
VSP-3A,4A	PEAR	9	8.375	7.875	6	5.375	4.875	4	.46	1	1.5	2.125	7.25
VSA-4C,5C,6C	PEAR	10	9.5	9	6.25	5.25	5.25	4	.56	1.25	0.75	3.5	10.75
VSA-4E,5E,6E	PEAR	10	9.5	9	6.25	5.25	5.25	4	.56	1.25	0.75	3.5	10.75
RV CODE CC	PEAR	10	4.875	4.25	3.5	2.875	2.25	4	.5	0	0.5	2.5	7
RV CODE CG	PEAR	5.25	5.5	5	3.5	2.5	2.5	4	.5	1	1	1.875	6.25

DIMENSIONS									
PUMP MODEL	SUS. PLATE SHAPE	O.D.	B.C.	A	B	C	D	E	
VB-1 1/2	ROUND	14	13	12	3	15/32	0	4.375	
VF-2	ROUND	14	13	12	3	15/32	2	4	
VSP-2A	ROUND	14	13	12	3	15/32	2	4	
VSP-2C,3C	ROUND	15	14	13	4	15/32	2.688	4.313	
VSP-3F	ROUND	15	14	13	4	15/32	2.875	4.438	
MF	ROUND	15	14	13	4	15/32	2.875	4.438	
VSA-3F,4F	ROUND	15	14	13	4	15/32	2.875	4.438	
RV CODE A*	ROUND	14	12	12	3	15/32	2	4	
RV CODE A**	ROUND	12.5	11.5	10.5	4	15/32	2.25	3.375	
RV CODE C	ROUND	15	14		4	15/32	3	4.688	

*Standard suspension plate.
 **Small suspension plate used for duplex units in 24" diameter basins. This plate is not fully round, but has one edge ground down.

