

Performance Chart

Missing Charts

Missing Charts



Supplemental # 0210

Performance Chart

Missing Charts

Missing Charts



Supplemental # 0210

Performance Chart

Missing Charts

Missing Charts



Supplemental # 0210

Performance Chart

Missing Charts

Missing Charts



Supplemental # 0210

Performance Chart

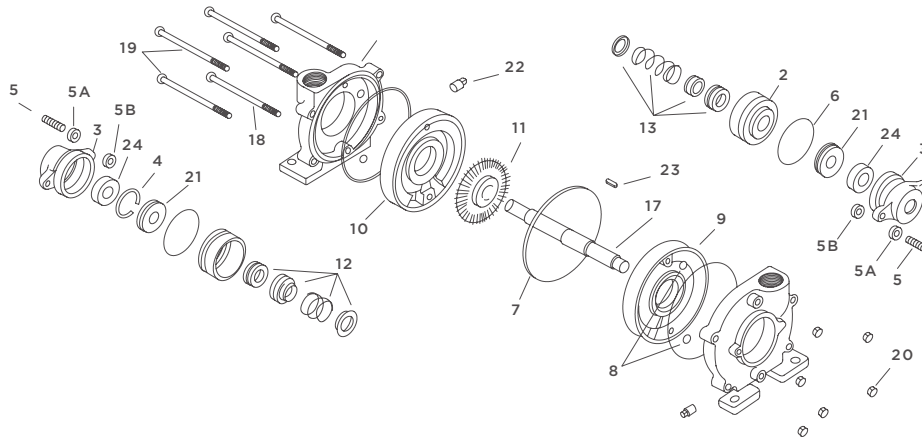
Missing Charts

Missing Charts



Supplemental # 0210

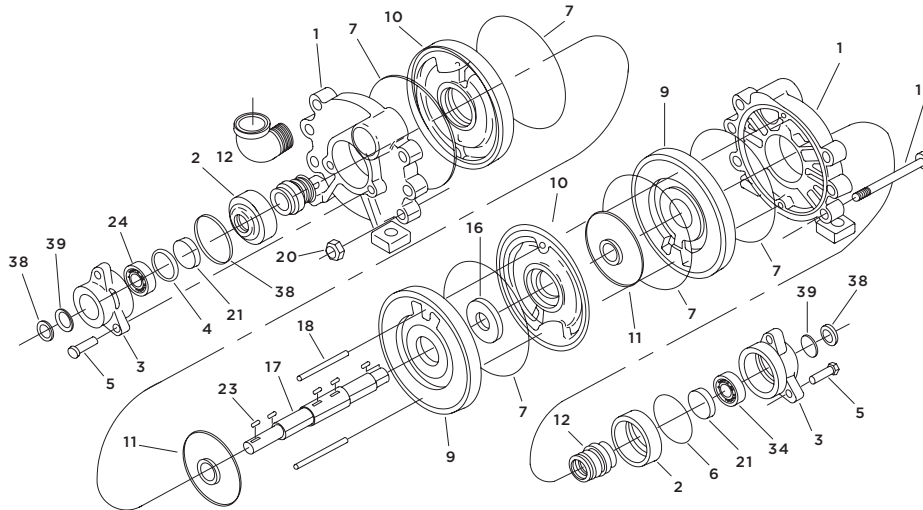
Diagram



PARTS LIST

NUMBER	NAME	DESCRIPTION	1 STAGE	2 STAGE	3 STAGE	4 STAGE
1	COVERS	(INLET DISCHARGE)	2	2	2	2
2	SEAL BEARINGS	(STANDARD)	2	2	2	2
3	BEARING ARMS	-	2	2	2	2
4	SNAP RING	(BEARING RETAINING)	1	1	1	1
5	STUDS	(BEARING ARM)	4	4	4	4
6	"O" RING	(MEDIUM-SEAL CUP)	2	2	2	2
7	"O" RING	(LARGE CASING)	3	5	7	9
8	"O" RING	(SMALL GUIDE ROD)	4	4	4	4
9	CHANNEL RING	(RIGHT-140 R)	1	2	3	4
10	CHANNEL RING	(LEFT-140 L)	1	2	3	4
11	IMPELLER	-	1	2	3	4
12	SEAL ROTATING ELEMENT	(UNBALANCED-STANDARD)	2	2	1	1
12.5	SEAL STATIONARY SEAT	(BOTH SEALS-STANDARD)	2	2	2	2
13	SEAL ROTATING ELEMENT	(BALANCED STANDARD)	-	-	1	1
14	DRIVE COLLAR	(BALANCED SEAL)	-	-	1	1
16	INTERSTAGE BUSHING	(FLOATING)	-	1	2	3
17	SHAFT	-	1	1	1	1
18	GUIDE RODS	-	2	2	2	2
19	THRU BOLTS	-	4	4	4	4
20	NUTS	(CASING)	10	10	10	10
20.5	JAM NUTS	(BEARING ARMS)	4	4	4	4
21	FLINGER	-	2	2	2	2
22	DRAIN PLUG	-	2	2	2	2
23	KEY	(IMPELLER & SHAFT)	2	3	4	5
24	BALL BEARING	(SEALED)	2	2	2	2

PARTS LIST



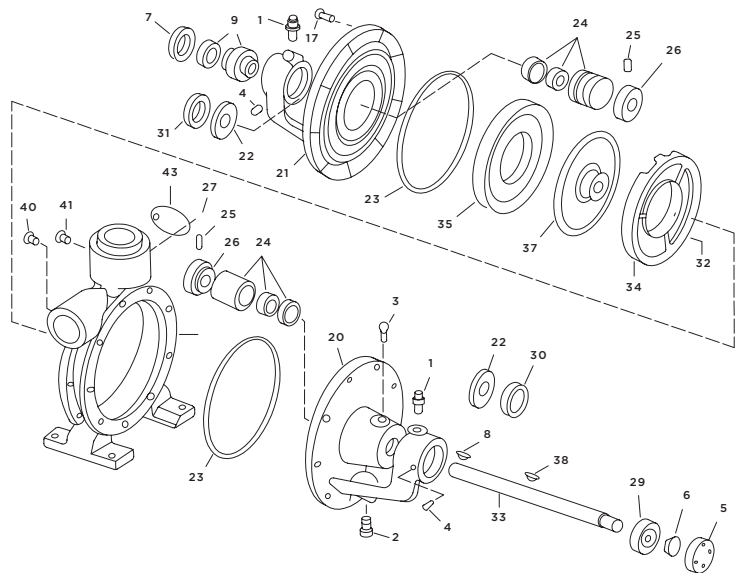
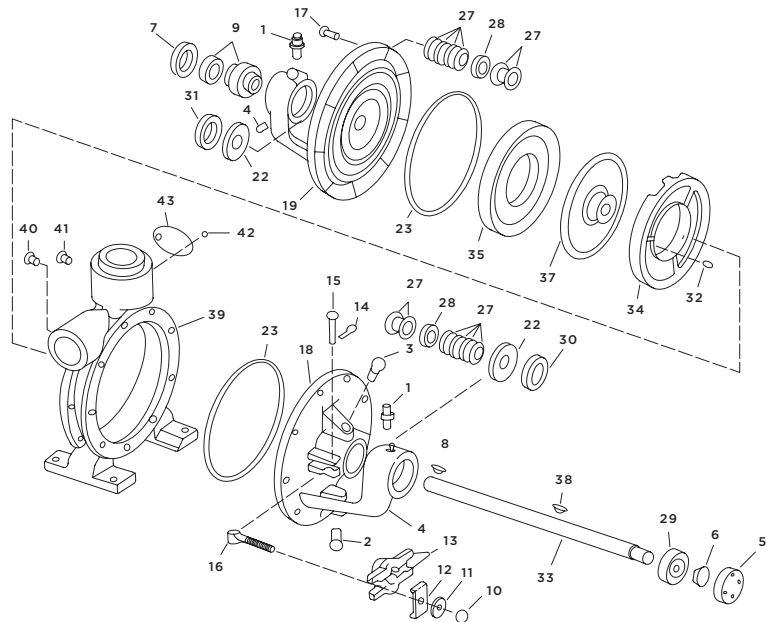
PARTS LIST

NUMBER	NAME	DESCRIPTION	1 STAGE	2 STAGE	3 STAGE	4 STAGE
1B	COVERS	(INLET DISCHARGE)	2	2	2	2
2B	SEAL CUPS	(STANDARD)	2	2	2	2
3B	BEARING ARMS	-	2	2	2	2
4B	SNAP RING	(BEARING RETAINING)	1	1	1	1
5B	STUDS	(BEARING ARM)	6	6	6	6
6B	"O" RING	(MEDIUM-SEAL CUP)	2	2	2	2
7B	"O" RING	(LARGE CASING)	3	5	7	9
9B	CHANNEL RING	(RIGHT-1102)	1	2	3	4
10B	CHANNEL RING	(LEFT-1101)	1	2	3	4
11B	IMPELLER	-	1	2	3	4
12B	SEAL ROTATING ELEMENT	(UNBALANCED-STANDARD)	2	2	1	1
12.5B	SEAL STATIONARY	(BOTH SEALS-STANDARD)	2	2	2	2
13B	SEAL ROTATING ELEMENT	(BALANCED STANDARD)	-	-	1	1
14B	DRIVE COLLAR	(BALANCED SEAL)	-	-	1	1
16B	INTERSTAGE BUSHING	(FLOATING)	-	1	2	3
17B	SHAFT	-	1	1	1	1
18B	GUIDE RODS	-	2	2	2	2
19B	THRU BOLTS	-	7	7	7	7
20	NUTS	(BEARING ARMS)	6	6	6	6
20B	NUTS	(CASING)	7	7	7	7
20.5B	JAM NUTS	(BEARING ARMS)	6	6	6	6
21B	FLINGER	-	2	2	2	2
22	DRAIN PLUG	-	2	2	2	2
23	KEY	(IMPELLER)	1	2	3	4
23B	KEY	(COUPLING)	1	1	1	1
24B	BALL BEARING	-	2	2	2	2
38B	BEARING LOCK NUT	-	2	2	2	2
39B	BEARING LOCK WASHER	-	2	2	2	2
40B	SUCTION ELBOW	-	1	1	1	1

Parts List & Diagram

PARTS LIST		
NUMBER	NAME	REQUIRED
1	GREASE FITTING	2
2	PIPE PLUG	2
3	PIPE PLUG	2
4	SET SCREW	2
5	ADJUSTING NUT	1
6	JAM NUT	1
7	ADJUSTING NUT	1
8	COUPLING KEY	1
9	BEARING W/COLLAR	1*
10	GLAND NUT	4
11	GLAND WASHER	4
12	GLAND CLAMP	4
13	GLAND	4
14	COTTER PIN	2
15	CLEVIS PIN	4
16	SWING BOLT	4
16A	SWING BOLT ASS'Y	4
17	CAP SCREW	4
18	PACKING COVER	-
19	PACKING COVER	1
20	SEAL COVER	1
21	SEAL COVER	1
22	WATER SLINGER	2*
23	COVER GASKET	2*
24	MECHANICAL SEAL	2*
25	SET SCREW	4
26	DRIVE COLLAR	2
27	PACKING SET	2*
28	LANTERN RING	2
29	BALL BEARING	1*
30	ADJUSTING NUT	1
31	ADJUSTING NUT	1
32	COVER LOCK PIN	2
33	SHAFT	1*
34	CHANNEL RING	1*
35	CHANNEL RING	1*
37	IMPELLER	1
38	IMPELLER KEY	1
41	SPACER KEY	-
42	CASING	1
43	PIPE PLUG	1
44	PIPE PLUG	1

* Recommended spare parts to be carried i stock.
Part numbers for type T turbine pumps are not Federal Pump standard part numbers.



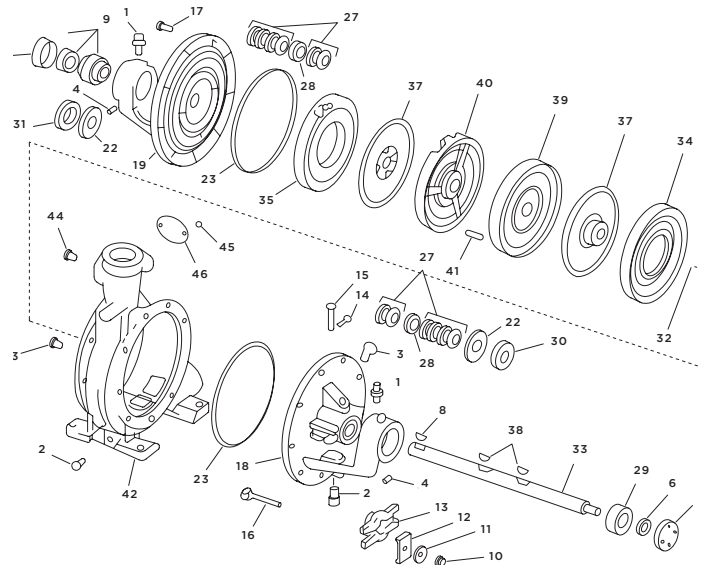
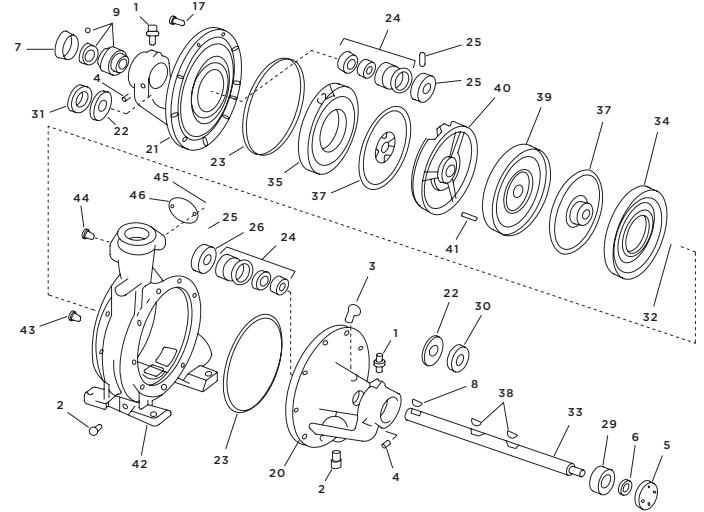
Supplemental # 0210

ADDRESS: 1144 Utica Avenue, Brooklyn, NY 11203 TEL: (718) 451-2000 URL: federalpumps.com

All images and information contained in this booklet are the sole property of The Federal Pumps Corporation, and may not be reproduced without written permission.

Parts List & Diagram

PARTS LIST		
NUMBER	NAME	REQUIRED
1	GREASE FITTING	2
2	PIPE PLUG	2
3	PIPE PLUG	2
4	SET SCREW	2
5	ADJUSTING NUT	1
6	JAM NUT	1
7	ADJUSTING NUT	1
8	COUPLING KEY	1
9	BEARING W/COLLAR	1*
10	GLAND NUT	4
11	GLAND WASHER	4
12	GLAND CLAMP	4
13	GLAND	2
14	COTTER PIN	4
15	CLEVIS PIN	4
16	SWING BOLT	4
16A	SWING BOLT ASS'Y	4
17	CAP SCREW	-
18	PACKING COVER	1
19	PACKING COVER	1
20	SEAL COVER	1
21	SEAL COVER	1
22	WATER SLINGER	2*
23	COVER GASKET	2*
24	MECHANICAL SEAL	2*
25	SET SCREW	4
26	DRIVE COLLAR	2
27	PACKING SET	2*
28	LANTERN RING	2
29	BALL BEARING	1*
30	ADJUSTING NUT	1
31	ADJUSTING NUT	1
32	COVER LOCK PIN	2
33	SHAFT	1*
34	CHANNEL RING	1*
35	CHANNEL RING	1*
37	IMPELLER	2*
38	IMPELLER KEY	2
39	SPACER	1*
40	SPACER	1*
41	SPACER KEY	1
42	CASING	1
43	PIPE PLUG	1
44	PIPE PLUG	1



* RECOMMENDED SPARE PARTS TO BE CARRIED IN STOCK.
PART NUMBERS FOR TYPE T TURBINE PUMPS ARE NOT FEDERAL PUMP STANDARD PART NUMBERS.



Supplemental # 0210

ADDRESS: 1144 Utica Avenue, Brooklyn, NY 11203 TEL: (718) 451-2000 URL: federalpumps.com

All images and information contained in this booklet are the sole property of The Federal Pumps Corporation, and may not be reproduced without written permission.