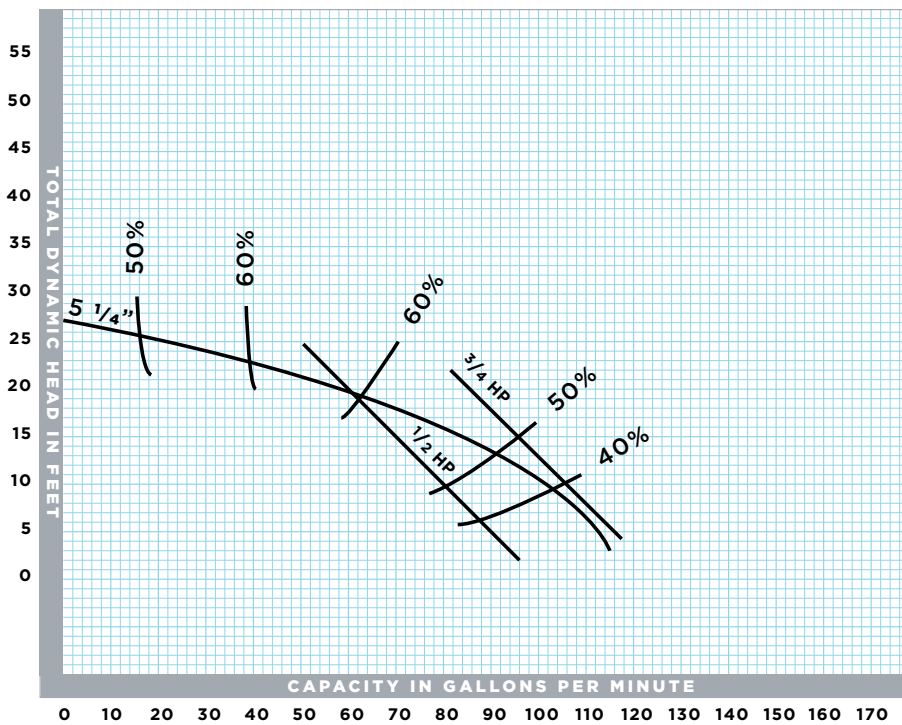


Performance Chart



TYPE MF MASTER-FLUSH
 PACKAGED SEWAGE PUMP UNITS
 BULLETIN 226

Section 4
 Curve Page MF-1
 June, 1984

1750 RPM
MODEL: MF (MASTER FLUSH)
DISCHARGE SIZE: 3"
IMPELLER: VSA-3F-2-.75



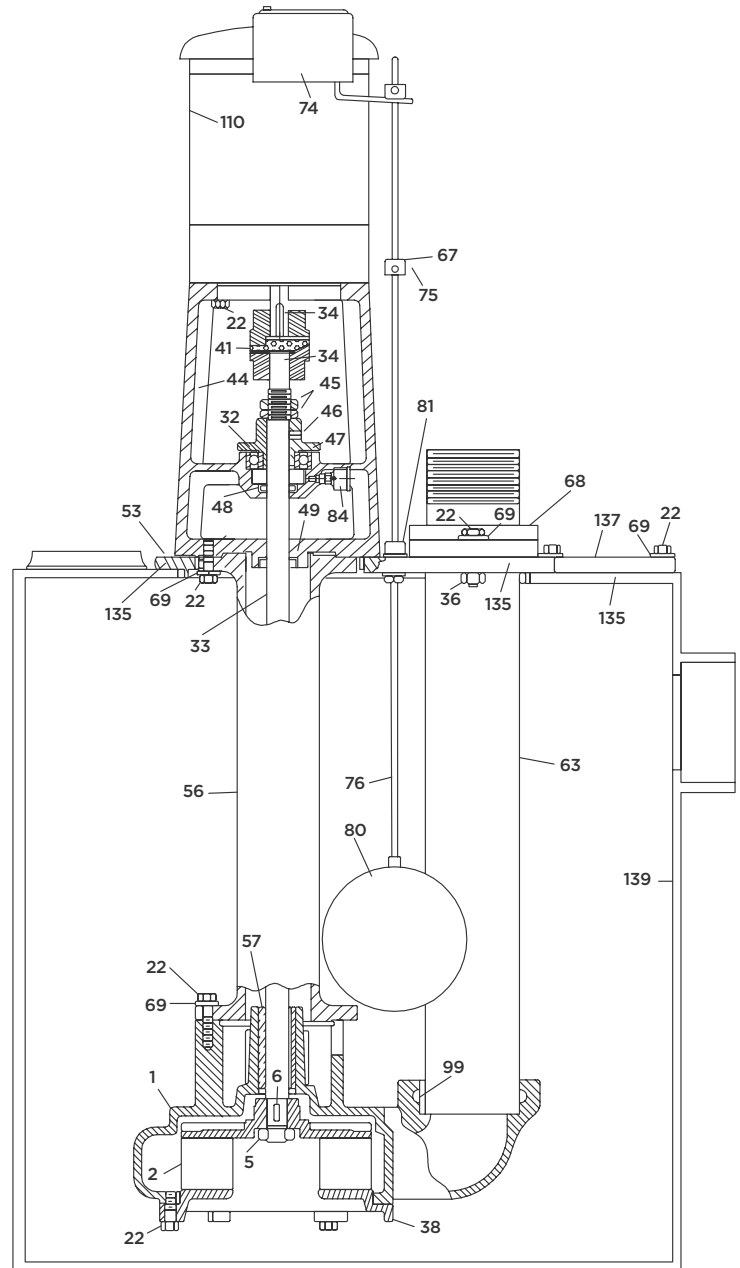
Supplemental # 0210

ADDRESS: 1144 Utica Avenue, Brooklyn, NY 11203 TEL: (718) 451-2000 URL: federalpumps.com

All images and information contained in this booklet are the sole property of The Federal Pumps Corporation, and may not be reproduced without written permission.

PARTS LIST			
NUMBER	NAME	REQUIRED	MATERIAL
1	PUMP CASING	1	CAST IRON
2	IMPELLER	1*	CAST IRON
5	IMPELLER NUT	1*	BRASS
6	IMPELLER KEY	1*	STEEL
22	CAP SCREW	-	STEEL
32	THRUST BALL BEARING	1*	STEEL
33	SHAFT	1*	STEEL
34	MOTOR SHAFT KEY	1*	STEEL
34	PUMP SHAFT KEY	1*	STEEL
38	SUCTION PLATE	1	CAST IRON
41	COUPLING SET	1	VARIOUS
44	PEDESTAL	1	CAST IRON
45	ADJUSTING NUT	2*	BRASS
46	BEARING CAP SET SCREW	1*	STEEL
47	BEARING CAP	1*	CAST IRON
48	BALL BEARING SEAL	1*	VARIOUS
49	PEDESTAL SHAFT SEAL	1*	VARIOUS
50	NUT	-	STEEL
53	SUPPORT PLATE	1	CAST IRON
56	SUPPORT LEG	1	CAST IRON
57	PUMP BEARING	1*	BRONZE
63	DISCH. PIPE	1	STEEL
67	STOP SET SCREW	2*	ST. ST.
68	UPPER DISCH. FLANGE	1	CAST IRON
69	WASHER	-	STEEL
74	FLOAT SWITCH	1*	VARIOUS
75	FLOAT STOP	2*	BRASS
76	FLOAT ROD	1*	BRASS
80	FLOAT	1*	COPPER
81	ROD-GUIDE ASSEMBLY	1	BRASS
84	GREASE CUP	1	STEEL
99	CASING ELBOW SEAL	1*	RUBBER
110	MOTOR	1	VARIOUS
135	SUPPORT PLATE GASKET	1	GRAPHITE
135	UPPER DISCH. FLANGE GASKET	1	GRAPHITE
135	HANDHOLE COVER GASKET	1	GRAPHITE
137	HANDHOLE COVER	1	CAST IRON
139	BASIN	1	FIBER-GLASS**

Parts List & Diagram



* Recommended spare parts to be carried in stock.
**Steel is also available.



Supplemental # 0210

ADDRESS: 1144 Utica Avenue, Brooklyn, NY 11203 TEL: (718) 451-2000 URL: federalpumps.com

All images and information contained in this booklet are the sole property of The Federal Pumps Corporation, and may not be reproduced without written permission.