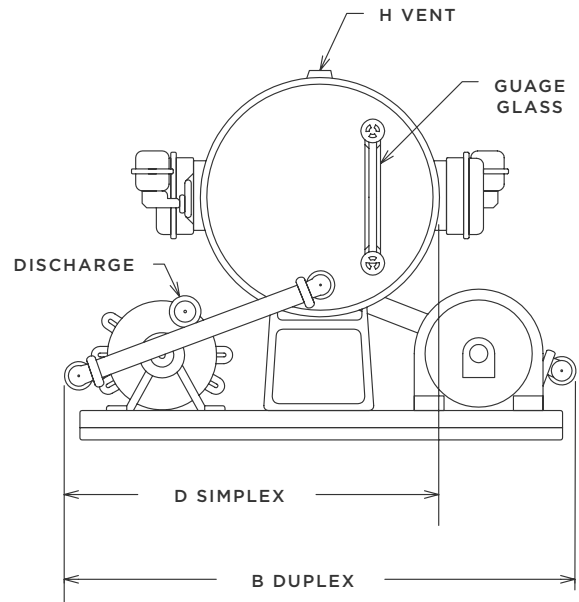
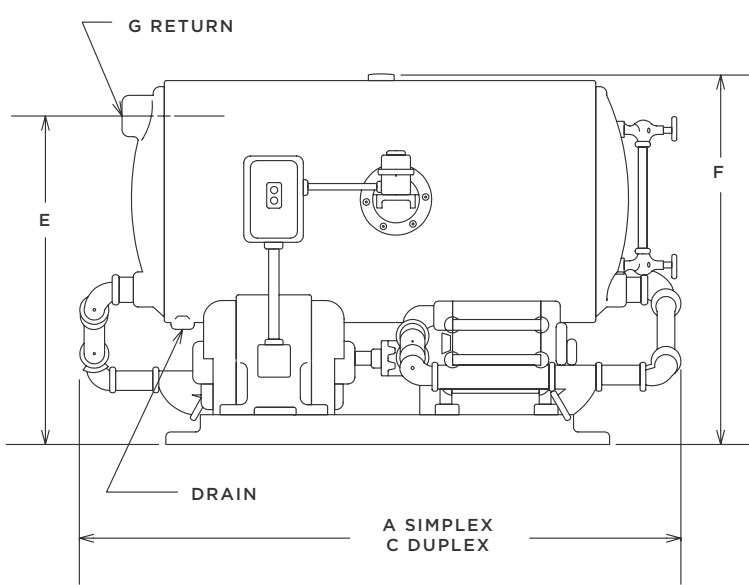


Dimensions Diagram & Table



DIMENSIONS							
UNIT NUMBERS	TANK CAP. GAL.	TANK SHELL SIZE	A	C	G	H	DRAIN
HT-220-4 THRU HT-10100-4	14	14X18	29	26	2	1	1
HT-1520-4 THRU HT-20100-4	26	18X24	37	32	2	1	1
HT-2520-4 THRU HT-30100-4	33	18X28	41	37	3	1	1
HT-4020-4 THRU HT-40100-4	45	18X36	50	46	3	1	1
HT-5020-4 THRU HT-50100-4	63	22X36	50	46	3	1.25	1
NON-STD. TANK	100	24X48	66	59	4	1.25	1
NON-STD. TANK	150	30X48	68	61	4	1.25	1.25

1. All dimensions are in inches unless otherwise noted.
2. Do not use for construction purposes unless certified.
3. Series 4 pumps have 1.25 inch discharge connections. Series 5 & 6 pumps have 2 inch discharge connections.
4. Series 4 pumps have vertical-up discharge connections. Series 5 & 6 pumps have horizontal discharge connections.
5. Pump selections for type HT condensation return units can be found on applicable list price sheets

VARIABLE DIMENSIONS					
TANK DIA.	PUMP SERIES	B	D	E	F
14	4	30	22	24	27
14	5	42	28	29	32
14	6	42	28	29	32
18	4	30	24	28	31
18	5	42	30	33	36
18	6	42	30	33	36
22	4	32	27	32	35
22	5	42	32	37	40
22	6	42	32	37	40
24	4	32	28	34	38
24	5	44	34	39	43
24	6	44	34	39	43
30	4	40	35	40	44
30	5	50	40	45	49
30	6	50	40	45	49

PERFORMANCE

PERFORMANCE						
UNIT NO.	CAPACITY SQ. FT. E.D.R.	PUMP DISCH. PRESS P.S.I.G.	PUMP CAPACITY G.P.M	MOTOR H.P. 1750 RPM	RECEIVING TANK CAPACITY GAL.	PUMP DISCH. SIZE
HT-220-4	2000	20	3	0.25	14	1.25
HT-230-4	2000	30	3	0.25	14	1.25
HT-240-4	2000	40	3	0.25	14	1.25
HT-250-4	2000	50	3	0.33	14	1.25
HT-260-4	2000	60	3	0.5	14	1.25
HT-275-4	2000	75	3	0.75	14	1.25
HT-2100-4	2000	100	3	0.75	14	1.25
HT-420-4	4000	20	6	0.25	14	1.25
HT-430-4	4000	30	6	0.25	14	1.25
HT-440-4	4000	40	6	0.5	14	1.25
HT-450-4	4000	50	6	0.5	14	1.25
HT-460-4	4000	60	6	0.75	14	1.25
HT-475-4	4000	75	6	0.75	14	1.25
HT-4100-4	4000	100	6	1	14	1.25

Inlet Sizes:
 2 inch receiving tank return inlet connection is standard on 14 and 26 gallon receiving tanks.
 3 inch receiving tank return inlet connection is standard on 33, 45 and 63 gallon receiving tanks.



Supplemental # 0210

ADDRESS: 1144 Utica Avenue, Brooklyn, NY 11203 **TEL:** (718) 451-2000 **URL:** federalpumps.com

All images and information contained in this booklet are the sole property of The Federal Pumps Corporation, and may not be reproduced without written permission.