

## Dimensions Diagram & Table

SPECIFICATONS			
UNIT	NEMA-1	NEMA-4	NEMA 7&9
VTC VCL VRC	9036-DG2 9038-AG-1(ALT)B 9037- EG-9 (VAC) 9038-DG-7 (VAC-ALT)B	9036-DW-1 9038-AW-1(ALT)B	9036-DR-1 9038-AR- 1(ALT)B 9037-ER-5- 1(VAC)
CCV CCH HT HTCR	9037-HG-33 9038-CG-32(ALT) B E	9037-HW-33 9038 -CW-32-(ALT) B	9037-HR-33 9038-AR- 1(ALT)B C
RV	9036-GG-2 C 9038-AG-1(ALT) B C	9036-DW-1 C 9038-AW-1(ALT)B C	9036-DR-1 9038-AR- 1(ALT)B
VB-1.5 VF-2 MAS- TER FLUSH	9036 DG-2-S10A 9038-AG- 1(ALT)C	9036-DW-1 D 9038-AW-1(ALT)B	9036-DR-1 B 9038-AR- 1(ALT)C
VSP VSA VSAF VSS VSS-QD VSSF VSSF-QD	9036-GG-2 9038-AG-1(ALT)B 9036-GG-2(AUX)	9036-DW-1 9038-AW-1(ALT)B 9035-DW-1(AUX)	9036-DR-1 9038-AR- 1(ALT)B 9036-DR-1(AUX)

SPECIFICATIONS			
MODEL	MANUFACTURER	ENCL.	ALARM INDICATOR
LLC-1A	APEX	NEMA-1	NO BELL OR HORN
LLC-1H	APEX	NEMA-1	WITH HORN
7501	AUTOCON	NEMA-4	NO BELL OR HORN
7501	AUTOCON	NEMA-7	NO BELL OR HORN

SPECIFICATIONS						
PUMP MODEL	FLOAT SWITCH	FLOAT	FLOAT ROD	FLOAT ROD GUIDE	PIT DEPTH	FLOAT ROD LENGTH
VB1.5	9036-DG-2-S10 OR 9036-DG-2	6" SPUD	.25" SLOID	NONE	THRU 4'	PIT DEPTH PLUS 6"
VB1.5	9036-DG-2-S10 OR 9036-DG-2	6" HT	.25" SLOID	NONE	4'6" AND DEEPER	PIT DEPTH PLUS 6"
VF2	9036-DG-2-S10 OR 9036-DG-2	6" SPUD	.25" SLOID	NONE	THRU 4'	PIT DEPTH PLUS 12"
VF2	9036-DG-2-S10 OR 9036-DG-2	6" HT	.25" SLOID	NONE	4'6" AND DEEPER	PIT DEPTH PLUS 12"



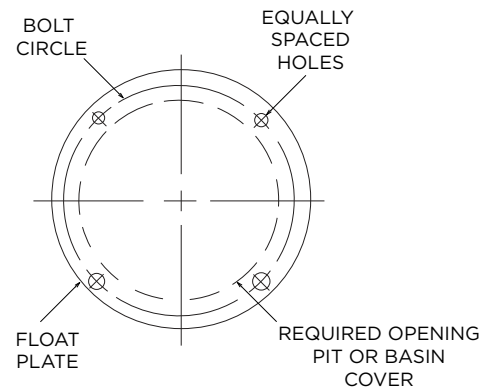
Supplemental # 0210

**ADDRESS:** 1144 Utica Avenue, Brooklyn, NY 11203 **TEL:** (718) 451-2000 **URL:** federalpumps.com

All images and information contained in this booklet are the sole property of The Federal Pumps Corporation, and may not be reproduced without written permission.

## Dimensions Diagram & Table

SPECIFICATIONS					
PIT DEPTH	FLOAT	HIGH WATER ALARM PIPE	FLOAT ROD GUIDE	FLOAT ROD	FLOAT SWITCH PEDESTAL
2'	7" SPUD	3'	6"	3'	20"
2'6"	7" SPUD	3'	6"	3'6"	20"
3'	7" SPUD	3'	6"	4'	20"
3'6"	7" SPUD	3'	6"	4'6"	20"
4'	7" SPUD	5'	12"	5'	20"
4'6"	7" SPUD	5'	12"	5'6"	20"
5'	7" SPUD	5'	12"	6'	20"
5'6"	8" SPUD	5'	24"	6'6"	20"
6'	8" SPUD	5'	24"	8'	36"
6'6"	8" SPUD	5'	24"	8'6"	36"
7'	8" SPUD	5'	24"	9'	36"
7'6"	8" SPUD	5'	24"	9'6"	36"
8'	8" SPUD	5'	24"	10'	36"
8'6"	8" SPUD	6'	54"	10'6"	36"
9'	8" SPUD	6'	54"	11'	36"
9'6"	8" SPUD	6'	54"	11'6"	36"
10'	8" SPUD	6'	54"	12'	36"
10'6"	8" SPUD	6'	54"	12'6"	36"
11'	8" SPUD	6'	54"	13'	36"
11'6"	8" SPUD	6'	54"	13'6"	36"
12'	8" SPUD	6'	54"	14'	36"
12'6"	8" SPUD	6'	54"	14'6"	36"
13'	8" SPUD	6'	54"	15'	36"
13'6"	8" SPUD	6'	54"	15'6"	36"
14'	8" SPUD	6'	54"	16'	36"



DIMENSIONS				
DIA. OF FLOAT	DIA OF PLATE	BC	COVER OPENING	DIA. HOLES
7	9.25	8.25	7.25	0.47
8	10.25	9.25	8.25	0.47
10	12.25	11.25	10.25	0.47

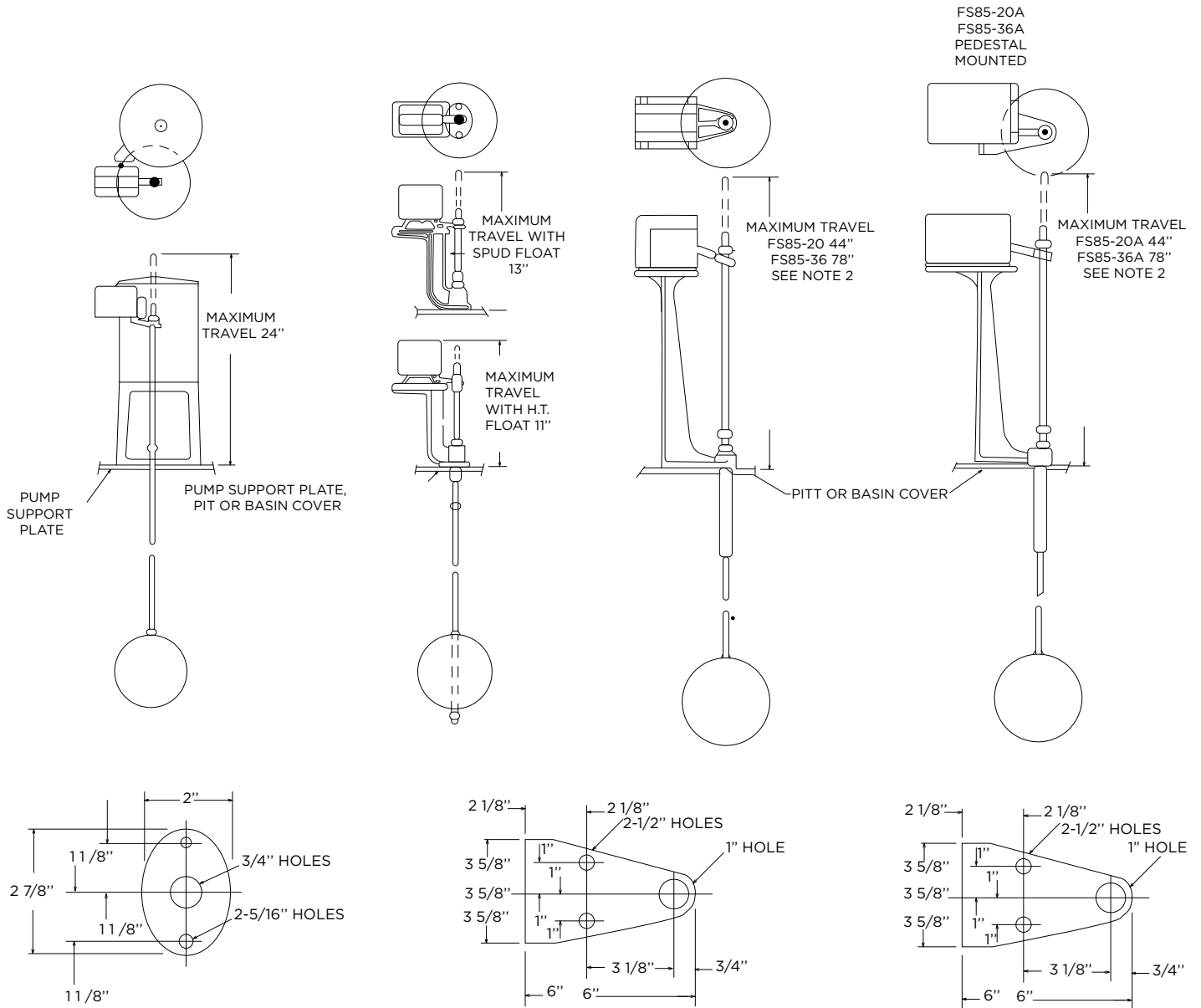


Supplemental # 0210

ADDRESS: 1144 Utica Avenue, Brooklyn, NY 11203 TEL: (718) 451-2000 URL: federalpumps.com

All images and information contained in this booklet are the sole property of The Federal Pumps Corporation, and may not be reproduced without written permission.

## Dimensions Diagram & Table



Supplemental # 0210

ADDRESS: 1144 Utica Avenue, Brooklyn, NY 11203 TEL: (718) 451-2000 URL: federalpumps.com

All images and information contained in this booklet are the sole property of The Federal Pumps Corporation, and may not be reproduced without written permission.